

Stainless Steel Worm Gear Reducers: Product Overview

Product Specifications

- » 5:1 - 100:1 ratios
- » Box sizes (Center distances 1.75" - 3.25")
- » 304 stainless steel housing, covers and flange
- » BISSC certified
- » IP69K protection against close-range high pressure, high temperature spray downs
- » Magnetic hardware allows for recognition by metal detection devices to prevent contamination
- » Double-lipped VITON oil seals (at output)
- » Smooth, polished surfaces and etched nameplate

- » Internal bladder functions as a breather and effectively dispels heat
- » 15CrMo4 NEMA quill input with carburizing heat treatment
- » CuSn12Ni2 bronze alloy worm wheel with high efficiency gear tooth configuration
- » RoHS plastic covers supplied to fill unused mounting slots
- » O-ring provided on input flange to prevent moisture intrusion
- » Performance equivalent to other major brands
- » Units filled with Mobil CIBUS 460 H1 food grade lubricant
- » 1 year warranty



2

STAINLESS STEEL REDUCERS

Ratio	Output RPM @ 1750 RPM Input	WCD Center (in.)	NEMA Motor Frame	Approx. Wt. (lbs.)	Model Number
5:1	350	1.75	56C	16	SSHdR175-5/1-H-56C-1.0
		2.06	56C	22	SSHdR206-5/1-H-56C-1.716
		2.37	56C	28	SSHdR237-5/1-H-56C-1.716
		2.62	145TC	39	SSHdR262-5/1-H-145TC-1.1516
		3.25	56C	66	SSHdR325-5/1-H-56C-2.316
		3.25	145TC	66	SSHdR325-5/1-H-145TC-2.316
10:1	175	1.75	56C	16	SSHdR175-10/1-H-56C-1.0
		2.06	56C	22	SSHdR206-10/1-H-56C-1.716
		2.37	56C	28	SSHdR237-10/1-H-56C-1.716
		2.62	145TC	39	SSHdR262-10/1-H-145TC-1.1516
		3.25	56C	66	SSHdR325-10/1-H-56C-2.316
		3.25	145TC	66	SSHdR325-10/1-H-145TC-2.316
15:1	120	1.75	56C	16	SSHdR175-15/1-H-56C-1.0
		2.06	56C	22	SSHdR206-15/1-H-56C-1.716
		2.37	56C	28	SSHdR237-15/1-H-56C-1.716
		2.62	145TC	39	SSHdR262-15/1-H-145TC-1.1516
		3.25	145TC	66	SSHdR325-15/1-H-145TC-2.316
		1.75	56C	16	SSHdR175-20/1-H-56C-1.0
20:1	88	2.06	56C	22	SSHdR206-20/1-H-56C-1.716
		2.37	56C	28	SSHdR237-20/1-H-56C-1.716
		2.62	56C	39	SSHdR262-20/1-H-56C-1.1516
		2.62	145TC	39	SSHdR262-20/1-H-145TC-1.1516
		3.25	56C	66	SSHdR325-20/1-H-56C-2.316
		3.25	145TC	66	SSHdR325-20/1-H-145TC-2.316
30:1	58	1.75	56C	16	SSHdR175-30/1-H-56C-1.0
		2.06	56C	22	SSHdR206-30/1-H-56C-1.716
		2.37	56C	28	SSHdR237-30/1-H-56C-1.716
		2.62	56C	39	SSHdR262-30/1-H-56C-1.1516
		2.62	145TC	39	SSHdR262-30/1-H-145TC-1.1516
		3.25	56C	66	SSHdR325-30/1-H-56C-2.316
40:1	44	3.25	145TC	66	SSHdR325-30/1-H-145TC-2.316
		1.75	56C	16	SSHdR175-40/1-H-56C-1.0
		2.06	56C	22	SSHdR206-40/1-H-56C-1.716
		2.37	56C	28	SSHdR237-40/1-H-56C-1.716
		2.62	56C	39	SSHdR262-40/1-H-56C-1.1516
		3.25	56C	66	SSHdR325-40/1-H-56C-2.316
50:1	35	3.25	145TC	66	SSHdR325-40/1-H-145TC-2.316
		1.75	56C	16	SSHdR175-50/1-H-56C-1.0
		2.06	56C	22	SSHdR206-50/1-H-56C-1.716
		2.37	56C	28	SSHdR237-50/1-H-56C-1.716
		2.62	56C	39	SSHdR262-50/1-H-56C-1.1516
		3.25	56C	66	SSHdR325-50/1-H-56C-2.316
60:1	29	3.25	145TC	66	SSHdR325-50/1-H-145TC-2.316
		1.75	56C	16	SSHdR175-60/1-H-56C-1.0
		2.06	56C	22	SSHdR206-60/1-H-56C-1.716
		2.37	56C	28	SSHdR237-60/1-H-56C-1.716
		2.62	56C	39	SSHdR262-60/1-H-56C-1.1516
		3.25	56C	66	SSHdR325-60/1-H-56C-2.316
80:1	22	3.25	145TC	66	SSHdR325-60/1-H-145TC-2.316
		2.06	56C	22	SSHdR206-80/1-H-56C-1.716
		2.37	56C	28	SSHdR237-80/1-H-56C-1.716
		2.62	56C	39	SSHdR262-80/1-H-56C-1.1516
		3.25	143TC	66	SSHdR325-80/1-H-143TC-2.316
		2.06	56C	22	SSHdR206-100/1-H-56C-1.716
100:1	18	2.37	56C	28	SSHdR237-100/1-H-56C-1.716
		2.62	56C	39	SSHdR262-100/1-H-56C-1.1516
		3.25	56C	66	SSHdR325-100/1-H-56C-2.316

Stainless Steel Worm Gear Reducers: Mechanical Ratings

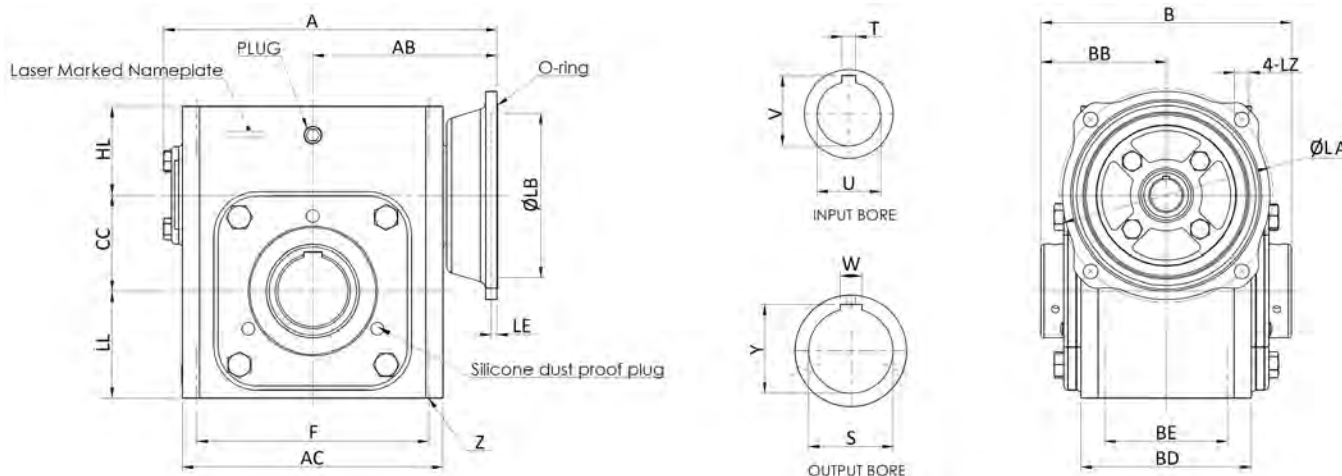
Input Speed: 1750 RPM											
Series Size		Mechanical			Thermal			Efficiency (%)	O.H.L. (lbs.)	Output Shaft Thrust Load (lbs.)	Backlash (Angular Min.) (')
Box Size	Ratio	Input HP	Output Torque (lbs. in.)	Output HP	Input HP	Output Torque (lbs. in.)	Output HP				
175	5:1	2.36	416	2.20	1.99	350	1.85	93.2	650	550	20
	10:1	1.52	495	1.38	1.43	467	1.30	90.5			
	15:1	1.09	506	0.94	0.96	448	0.83	85.9			
	20:1	0.85	527	0.71	0.85	514	0.71	84.0			
	30:1	0.65	532	0.49	0.56	460	0.43	75.8			
	40:1	0.57	599	0.42	0.50	527	0.37	72.9			
	50:1	0.44	568	0.32	0.44	568	0.32	71.7			
	60:1	0.31	457	0.21	0.31	457	0.21	68.3			
	80:1	0.26	488	0.17	0.26	488	0.17	65.1			
	100:1	0.21	460	0.13	0.21	460	0.13	60.8			
206	5:1	3.62	640	3.38	3.04	538	2.84	93.5	700	750	17
	10:1	2.47	799	2.22	1.94	627	1.74	89.8			
	15:1	1.80	850	1.57	1.57	741	1.37	87.4			
	20:1	1.48	907	1.23	1.16	713	0.97	83.0			
	30:1	0.95	802	0.74	0.90	762	0.71	78.1			
	40:1	0.76	774	0.54	0.67	687	0.48	70.7			
	50:1	0.60	771	0.43	0.60	771	0.43	71.4			
	60:1	0.52	777	0.36	0.52	777	0.36	69.2			
	80:1	0.39	706	0.24	0.39	706	0.24	62.8			
	100:1	0.33	698	0.19	0.33	698	0.19	58.7			
237	5:1	4.32	767	4.06	3.91	693	3.67	93.9	900	900	17
	10:1	3.23	1055	2.93	2.56	837	2.32	90.7			
	15:1	2.36	1108	2.05	1.82	854	1.58	86.9			
	20:1	2.01	1243	1.68	1.47	910	1.23	83.8			
	30:1	1.33	1105	1.02	1.03	857	0.79	76.9			
	40:1	1.07	1156	0.80	0.95	1029	0.71	75.0			
	50:1	0.87	1111	0.62	0.82	1045	0.58	70.9			
	60:1	0.71	1008	0.47	0.69	986	0.46	65.7			
	80:1	0.48	871	0.30	0.48	871	0.30	63.0			
	100:1	0.37	767	0.21	0.37	767	0.21	57.6			
262	5:1	5.24	933	4.94	5.17	920	4.87	94.2	1000	1000	17
	10:1	3.96	1301	3.61	3.41	1119	3.11	91.2			
	15:1	2.96	1415	2.62	2.61	1246	2.31	88.5			
	20:1	2.36	1472	1.99	1.93	1206	1.63	84.5			
	30:1	1.68	1446	1.34	1.48	1271	1.18	79.7			
	40:1	1.33	1454	1.01	1.24	1360	0.94	75.9			
	50:1	1.08	1423	0.79	1.08	1423	0.79	73.2			
	60:1	0.89	1279	0.59	0.89	1279	0.59	66.5			
	80:1	0.62	1159	0.40	0.62	1159	0.40	64.9			
	100:1	0.46	961	0.27	0.46	961	0.27	58.0			
325	5:1	9.72	1740	9.20	8.14	1458	7.71	94.7	1200	1100	15
	10:1	6.60	2184	6.07	5.33	1763	4.90	91.9			
	15:1	4.94	2380	4.41	4.00	1925	3.56	89.2			
	20:1	3.93	2530	3.43	3.37	2170	2.94	87.2			
	30:1	2.84	2476	2.29	2.24	1949	1.80	80.7			
	40:1	2.22	2523	1.75	2.04	2324	1.61	78.9			
	50:1	1.80	2434	1.35	1.73	2343	1.30	75.1			
	60:1	1.49	2286	1.06	1.49	2286	1.06	71.0			
	80:1	0.94	1760	0.61	0.94	1760	0.61	65.0			
	100:1	0.71	1611	0.45	0.71	1611	0.45	63.0			

* Thermal limit ratings - max. input HP at 20 ° ambient temperature with HI Food Grade 460 lubricant

Stainless Steel Worm Gear Reducers: Dimensions

2

STAINLESS STEEL
REDUCERS



All listed dimensions in inches

Box Size	NEMA Frame	A	AB	AC	B	BB	BD	BE	CC	F	HL	LL
175	56C	7.05	4.04	5.06	5.7	2.85	3.57	2.75	1.75	4.19	1.94	2.06
206	56C	7.72	4.37	5.75	6.44	3.22	3.82	2.88	2.06	5	2.03	2.28
237	56C	8.41	4.69	6.38	6.44	3.22	4.06	2.88	2.38	5	2.06	2.5
	145TC	8.41	4.69	6.38	6.44	3.22	4.06	2.88	2.38	5	2.06	2.5
262	56C	9.16	5.06	7.17	6.88	3.44	4.69	3.37	2.62	6.37	2.44	2.94
	145TC	9.16	5.06	7.17	6.88	3.44	4.69	3.37	2.62	6.37	2.44	2.94
325	56C	11.17	6.06	9.02	8.62	4.31	5.75	4	3.25	7.5	2.63	3.5
	145TC	11.17	6.06	9.02	8.62	4.31	5.75	4	3.25	7.5	2.63	3.5

Box Size	NEMA Frame	Z	INPUT BORE (inches)			OUTPUT BORE (inches)			FLANGE (inches)			
			U	T	V	S	W	Y	LA	LB	LE	LZ
175	56C	2x4-5/16-18UNCx0.5"	0.625	0.19	0.71	1	0.25	1.11	5.875	4.5	0.16	0.41
206	56C	2x4-3/8-16UNCx0.55"	0.625	0.19	0.71	1.438	0.38	1.54	5.875	4.5	0.16	0.41
237	56C	2x4-3/8-16UNCx0.59"	0.625	0.19	0.71	1.438	0.38	1.54	5.875	4.5	0.16	0.41
	145TC	2x4-3/8-16UNCx0.59"	0.875	0.19	0.96	1.438	0.38	1.54	5.875	4.5	0.16	0.41
262	56C	2x4-3/8-16UNCx1"	0.625	0.19	0.71	1.938	0.5	2.03	5.875	4.5	0.16	0.41
	145TC	2x4-3/8-16UNCx1"	0.875	0.19	0.96	1.938	0.5	2.03	5.875	4.5	0.16	0.41
325	56C	2x4-7/16-14UNCx0.86"	0.625	0.19	0.71	2.188	0.5	2.29	5.875	4.5	0.16	0.41
	145TC	2x4-7/16-14UNCx0.86"	0.875	0.19	0.96	2.188	0.5	2.29	5.875	4.5	0.16	0.41

Dimensions shown in this catalog are for general use only.
For an exact drawing on a specific rating, please contact our sales office.

Stainless Steel Worm Gear Reducers: Accessories and Parts

Output Covers

- » Stainless Steel output covers.
- » Sizes available for 1.75" through 3.25" center distances.

Reducer Size CD (in.)	Model Number	Engineering Make-up
1.75	SSHdR175-H-OPC	Non Toxic -PP
2.06	SSHdR206-H-OPC	Non Toxic -PP
2.37	SSHdR237-H-OPC	Non Toxic -PP
2.62	SSHdR262-H-OPC	Non Toxic -PP
3.25	SSHdR325-H-OPC	Non Toxic -PP



Stainless Steel Worm Gear Reducers: Accessories and Parts

Stainless Steel Bushing Kits

- » Stainless Steel Bushing Kits include sizing inserts, keys and set screws.
- » Sizes available for 1.75" through 3.25" center distances.
- » Stainless Steel Bushing Kits are not suitable for cast iron gear reducers. Please see page 39 for cast iron bushing kits.



Reducer Size CD (in.)	Output Bore Size	Model Number	Outer Diameter O.D. (in.)	Inner Diameter I.D. (in.)
1.75	1"	SSB1.58	1"	5/8"
	1"	SSB1.1116	1"	11/16"
	1"	SSB1.34	1"	3/4"
	1"	SSB1.78	1"	7/8"
	1"	NOT REQUIRED	1"	1"
2.06	1-7/16"	SSB1716.1	1-7/16"	1"
	1-7/16"	SSB1716.1.18	1-7/16"	1-1/8"
	1-7/16"	SSB1716.1.316	1-7/16"	1-3/16"
	1-7/16"	SSB1716.1.14	1-7/16"	1-1/4"
	1-7/16"	NOT REQUIRED	1-7/16"	1-7/16"
2.37	1-7/16"	SSB1716.1	1-7/16"	1"
	1-7/16"	SSB1716.1.18	1-7/16"	1-1/8"
	1-7/16"	SSB1716.1.316	1-7/16"	1-3/16"
	1-7/16"	SSB1716.1.14	1-7/16"	1-1/4"
	1-7/16"	NOT REQUIRED	1-7/16"	1-7/16"
2.62	1-15/16"	SSB11516.1	1-15/16"	1"
	1-15/16"	SSB11516.1.18	1-15/16"	1-1/8"
	1-15/16"	SSB11516.1.316	1-15/16"	1-3/16"
	1-15/16"	SSB11516.1.14	1-15/16"	1-1/4"
	1-15/16"	SSB11516.1.716	1-15/16"	1-7/16"
	1-15/16"	SSB11516.1.12	1-15/16"	1-1/2"
	1-15/16"	NOT REQUIRED	1-15/16"	1-15/16"
	1-15/16"	NOT REQUIRED	1-15/16"	1-15/16"
3.25	2-3/16"	SSB2316.1.14	2-3/16"	1-1/4"
	2-3/16"	SSB2316.1.716	2-3/16"	1-7/16"
	2-3/16"	SSB2316.1.12	2-3/16"	1-1/2"
	2-3/16"	SSB2316.1.58	2-3/16"	1-5/8"
	2-3/16"	SSB2316.1.1116	2-3/16"	1-11/16"
	2-3/16"	SSB2316.1.34	2-3/16"	1-3/4"
	2-3/16"	SSB2316.1.1516	2-3/16"	1-15/16"
	2-3/16"	SSB2316.2	2-3/16"	2"
	2-3/16"	NOT REQUIRED	2-3/16"	2-3/16"

Hollow Output Shaft Oil Seals

- » Tapered seals sold in quantities of two.

Unit Size	Max. Bore Size	Bearing #	Model Number
SSHdR175-H	1"	32008	SSHdR-PSS040062083
SSHdR206-H	1-7/16"	32010	SSHdR-PSS050068083
SSHdR237-H	1-7/16"	32010	SSHdR-PSS050072123
SSHdR262-H	1-15/16"	32013	SSHdR-PSS065088123
SSHdR325-H	2-3/16"	32015	SSHdR-PSS075100133

SSHdR Output Flanges



Model Number	Description
SSHdR175-SCF	OUTPUT FLANGE SSHdR175
SSHdR206-SCF	OUTPUT FLANGE SSHdR206
SSHdR237-SCF	OUTPUT FLANGE SSHdR237
SSHdR262-SCF	OUTPUT FLANGE SSHdR262

Single Output Shafts

- » Kit includes single output shaft, keys, endplate and bolt.



Box Size	Shaft Diameter (in.)	Shaft Length (in.)	Model Number
175	0.875	1.781	SSHdR175-OPS-S
206	1	2.090	SSHdR206-OPS-S
237	1.125	2.370	SSHdR237-OPS-S
262	1.125	2.626	SSHdR262-OPS-S-1.125
262	1.25	2.626	SSHdR262-OPS-S
325	1.375	3.250	SSHdR325-OPS-S-1.375
325	1.5	3.250	SSHdR325-OPS-S

Double Output Shafts

- » Kit includes double output shaft, keys, retaining rings and C-clips.



Box Size	Shaft Diameter (in.)	Shaft Length (in.)	Model Number
175	0.875	1.781	SSHdR175-OPS-DS
206	1	2.090	SSHdR206-OPS-DS
237	1.125	2.370	SSHdR237-OPS-DS
262	1.125	2.626	SSHdR262-OPS-DS-1.125
262	1.25	2.626	SSHdR262-OPS-DS
325	1.375	3.250	SSHdR325-OPS-DS-1.375
325	1.5	3.250	SSHdR325-OPS-DS